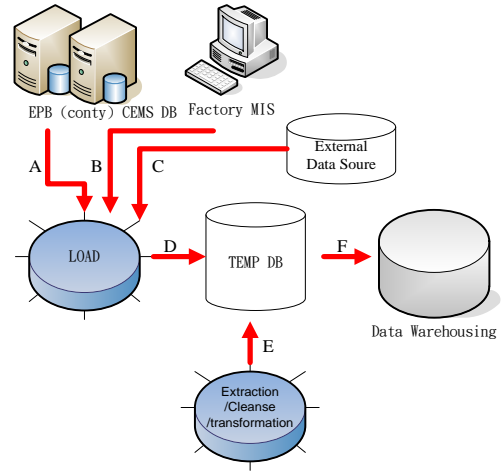
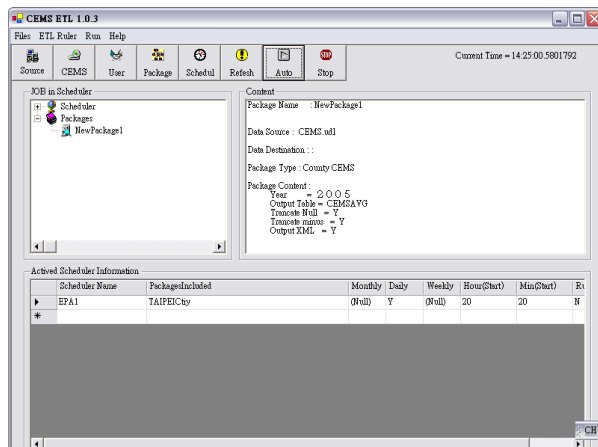


## 【環境管理】

### ● 預測行連續自動監測系統

利用多變數回歸、神經網路與專家系統進行固定污染源空氣污染物排放預測。

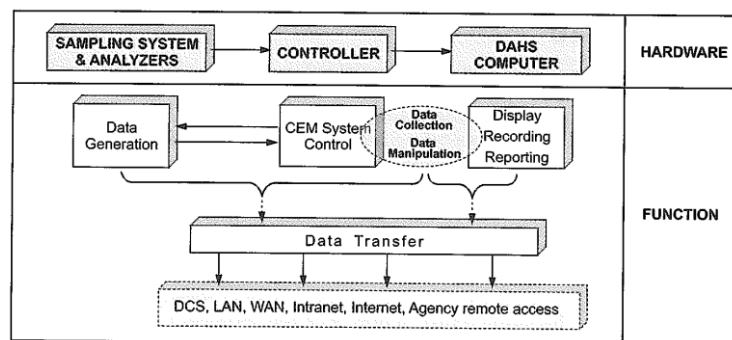
可作為固定污染源空氣污染物連續自動監測系統替代方法。



預測行連續自動監測系統

### ● 監測設施數據採擷及處理系統之驗證平台

依據「固定污染源連續自動監測設施管理辦法」數據計算相關規定，驗證公私場所使用之監測設施數據採擷及處理系統。



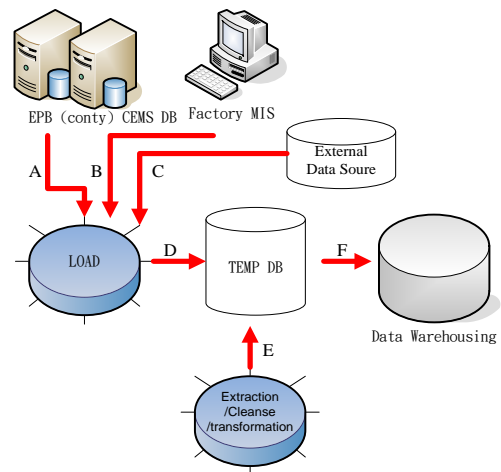
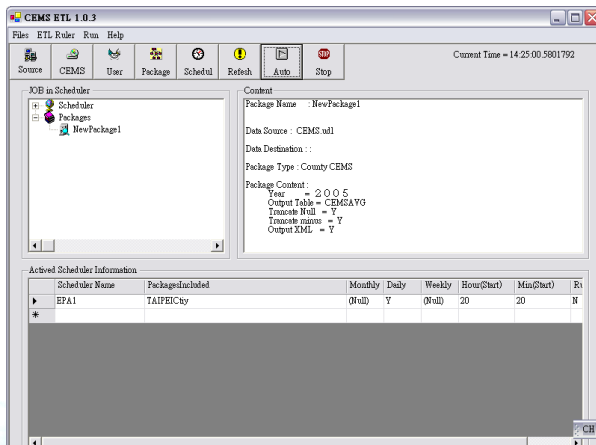
DAHS 硬體架構及功能

## 【Environmental Management】

- **Predictive Continuous automatic monitoring system for forecast lines**

Use multivariate regression, neural networks, and expert systems to predict air pollutant emissions from stationary sources.

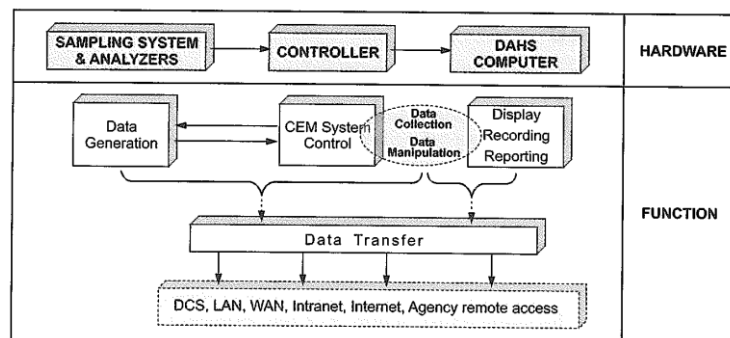
As an alternative to a continuous automatic monitoring system for air pollutants from stationary sources.



Predictive Continuous automatic monitoring system

- **Validation platform for monitoring facility data acquisition and Handling system**

Validate the data collection and handling system, DAHS, of monitoring facilities used in public and private places in accordance with the relevant data calculation requirements of the “Management Measures for Continuous Emission Monitoring System for Stationary Sources”.



DAHS hardware architecture and features